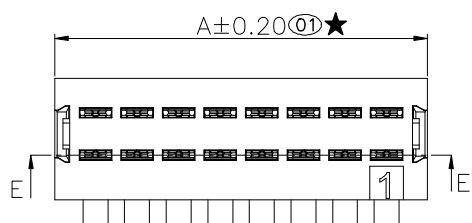
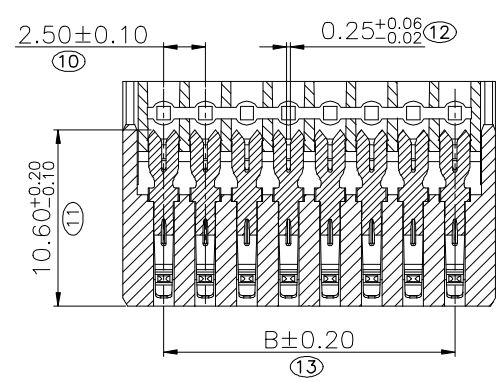


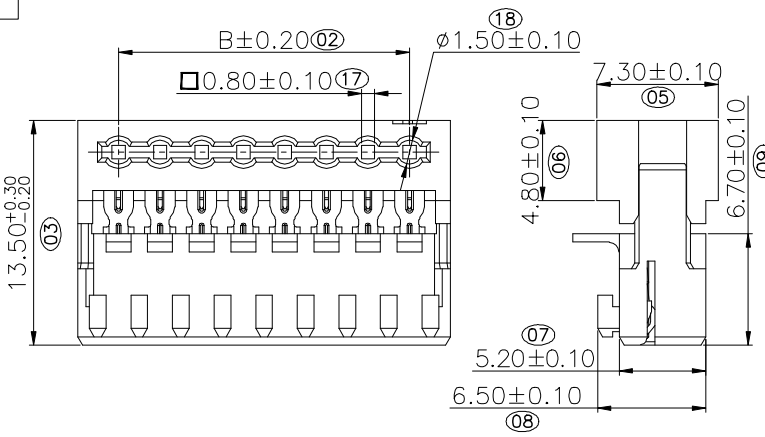
Shipping Arrangement: 50 sets per strip  
Shipped in carton box



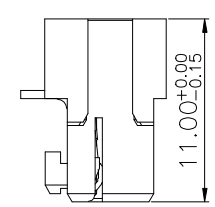
Specifications  
 Current Rating:2.0Amp.  
 Insulation Resistance:1000MΩMin.  
 Dielectric Withstanding Voltage:500VAC.  
 Contact Resistance:10mΩMax.  
 Operating Temperature:-40°C to +125°C  
 Materials.  
 Contact Material:Phosphor Bronze.  
 Insulator Material:Thermoplastic,  
 UL 94V-0 PBT,NYLON 66 or the  
 equivalent material.



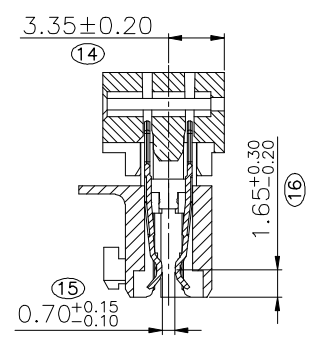
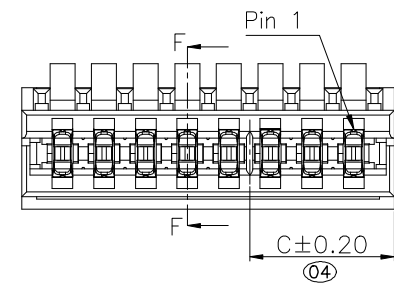
SECTION E-E



SECTION F-F



Fully Loaded



★All materials must meet Greenconn hazardous substances control standards.  
 ★★: Critical Characteristics indicates product characteristics, functionalities, and manufacturing processes regarding to customer's specifications.  
 ★★: Safety Features indicates product characteristics, functionalities, and manufacturing processes complying to legal regulations stated by local government.

Spacer bar	C	D
00		
12	3.70	1.25
23	6.20	3.75
34	8.70	6.25
45	11.20	8.75
56	13.70	11.25
67	16.20	13.75
78	18.70	16.25

Pin NO.	A	B
08	22.40	17.50

**Greenconn**  
 Website:www.greenconn.com  
 E-mail:sales@greenconn.com

REV. 01	UNIT. mm	SCALE. 5:2
---------	----------	------------

3RD.ANG PROJ.  
  
 PAGE. 1/2

GENERAL TOLERANCE	
X.±5.0'	X.±0.30
.X'±3.0'	.X±0.25
.XX'±2.0'	.XX±0.15
.XXX'±1.0'	.XXX±0.10

DESIGNED: \_\_\_\_\_ DATE: \_\_\_\_\_  
 CHECKED: \_\_\_\_\_ DATE: \_\_\_\_\_  
 APPROVED: \_\_\_\_\_ DATE: \_\_\_\_\_

DWG. NO. CSGA109-CAXXX  
 PART NO. CSGA109-XXXXAXXXXAB

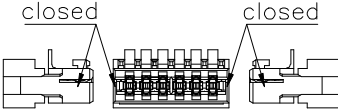
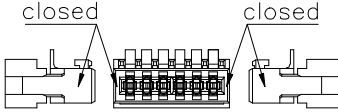
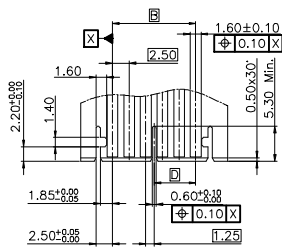
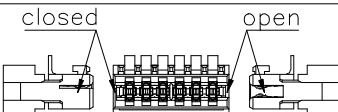
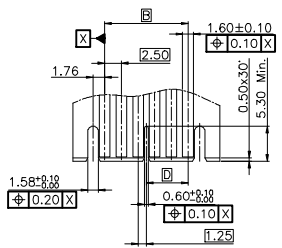
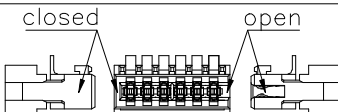
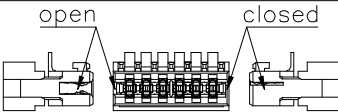
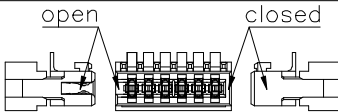
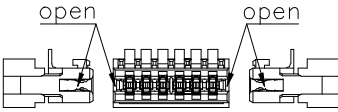
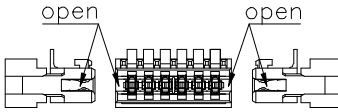
TITLE. RASTLink 2.5mm Single Row Female Connector


1 2 3 4 5 6 7 8 9

# Ordering Information

C SGA109 - XX XX A X XX X X AB

No. Of Pins Per Row 08  
 Standard Plating 05=1u"Gold and 80~160u" Bright tin over 50~100u" Ni underplate overall.  
 Product form distinguishing serial number A, B, C,..... See the following table for specific differences  
 Spacer bar Code explanation: 00: No keying 12: Keying between pin 1 and pin 2 23: Keying between pin 2 and pin 3 ...and so on (When the pin number is above 10, use the letters A, B, C... A for 10, B for 11... and so on, for example, when the code is AB, it means there is a key between the 10th Pin and the 11th Pin)  
 Plastic material A=PBT(Halogen) E=NYLON 66(Halogen)  
 Color 1=Black 4=Natural

	PCB layout	Product form (buckle)	PCB layout	Product form (without buckle)
D		<p>closed closed</p>  <p>Applicable products: CSGA109-XXXXA A XXXXAB</p>		<p>closed closed</p>  <p>Applicable products: CSGA109-XXXXA E XXXXAB</p>
C	 <p>Layout 1:PCBoard 1.50±0.14mm</p>	<p>closed open</p>  <p>Applicable products: CSGA109-XXXXA B XXXXAB</p>	 <p>Layout 2:PCBoard 1.50±0.14mm</p>	<p>open open</p>  <p>Applicable products: CSGA109-XXXXA F XXXXAB</p>
B		<p>open closed</p>  <p>Applicable products: CSGA109-XXXXA C XXXXAB</p>		<p>open closed</p>  <p>Applicable products: CSGA109-XXXXA G XXXXAB</p>
A		<p>open open</p>  <p>Applicable products: CSGA109-XXXXA D XXXXAB</p>		<p>open open</p>  <p>Applicable products: CSGA109-XXXXA H XXXXAB</p>

A	 Website:www.greenconn.com E-mail:sales@greenconn.com		3RD.ANG PROJ.	GENERAL TOLERANCE X.±5.0' X.±0.30 .X'±3.0' .X±0.25 .XX'±2.0' .XX±0.15 .XXX'±1.0' .XXX±0.10		DESIGNED:	DATE:	DWG. NO. CSGA109-CAXXX	TITLE. RASTLink 2.5mm Single Row Female Connector
	REV. 01	UNIT. mm	SCALE. 1:1	PAGE. 2/2	CHECKED:	DATE:	PART NO. CSGA109-XXXXAXXXXAB		
	APPROVED:		DATE:						

1 2 3 4 5 6 7 8 9