

Poles	Dimensions (mm)		Poles	Dimensions (mm)	
	M	L		M	L
01	---	6.65	07	18.00	24.65
02	3.00	9.65	08	21.00	27.65
03	6.00	12.65	09	24.00	30.65
04	9.00	15.65	10	27.00	33.65
05	12.00	18.65	11	30.00	36.65
06	15.00	21.65	12	33.00	39.65

### Specifications :

Voltage rating: 250V AC / DC  
 Current rating: 5A AC / DC  
 Withstanding voltage: 1000V AC/minute  
 Temperature range: -25°C~+85°C  
 Insulation resistance: ≥1000MΩ  
 Contact resistance: ≤10mΩ  
 After environmental testing: ≤20mΩ

Series No.

Category: wafer

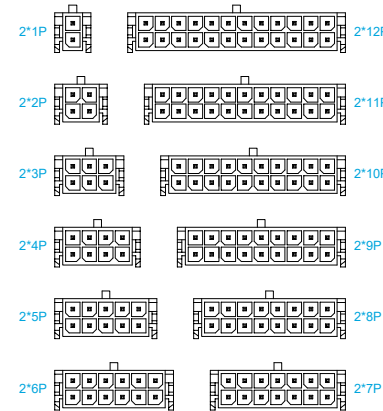
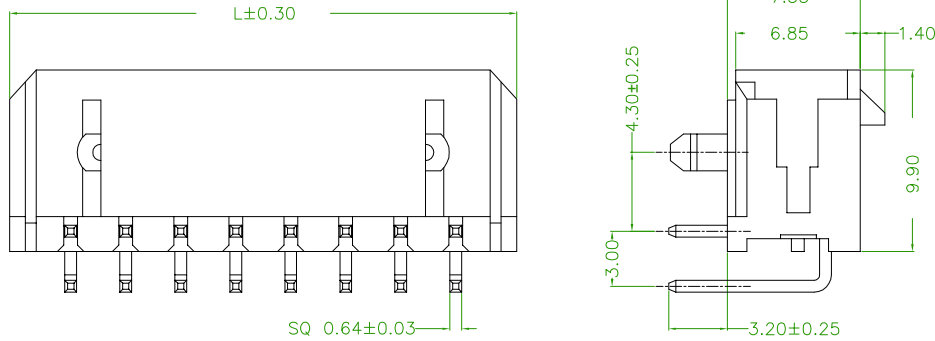
Welding Board Angle: 90°

Welding Way: DIP

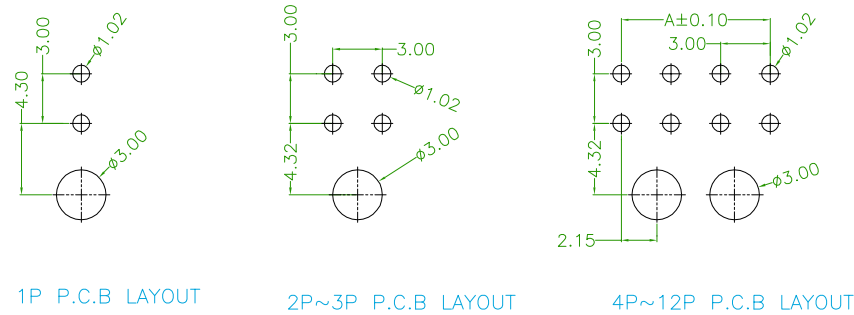
Material: PBT 94V-0

Material(Pin): Brass

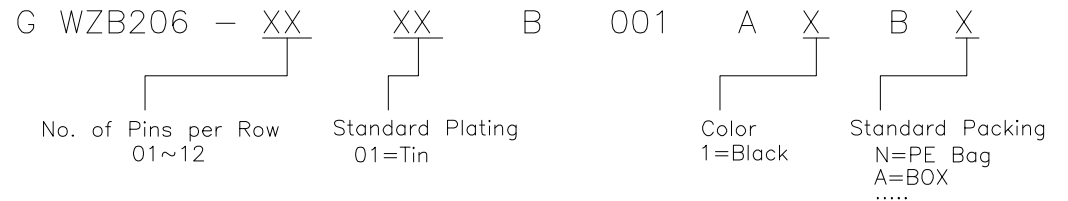
All materials must meet Greenconn requirement for environment protection.



Scale 1:3



### Ordering Information



格稜股份有限公司  
**Greenconn Corporation**

GENERAL TOLERANCE

X.*±/	X.±/
.X*±/	.X±0.30
.XX*±/	.XX±0.20
.XXX*±/	.XXX±0.10

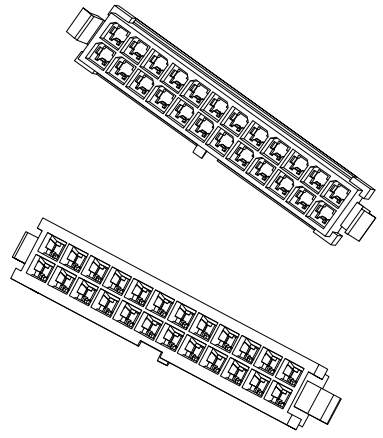
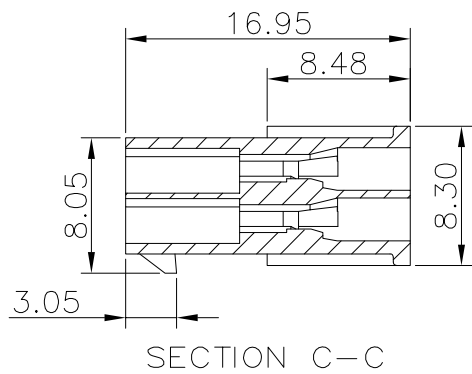
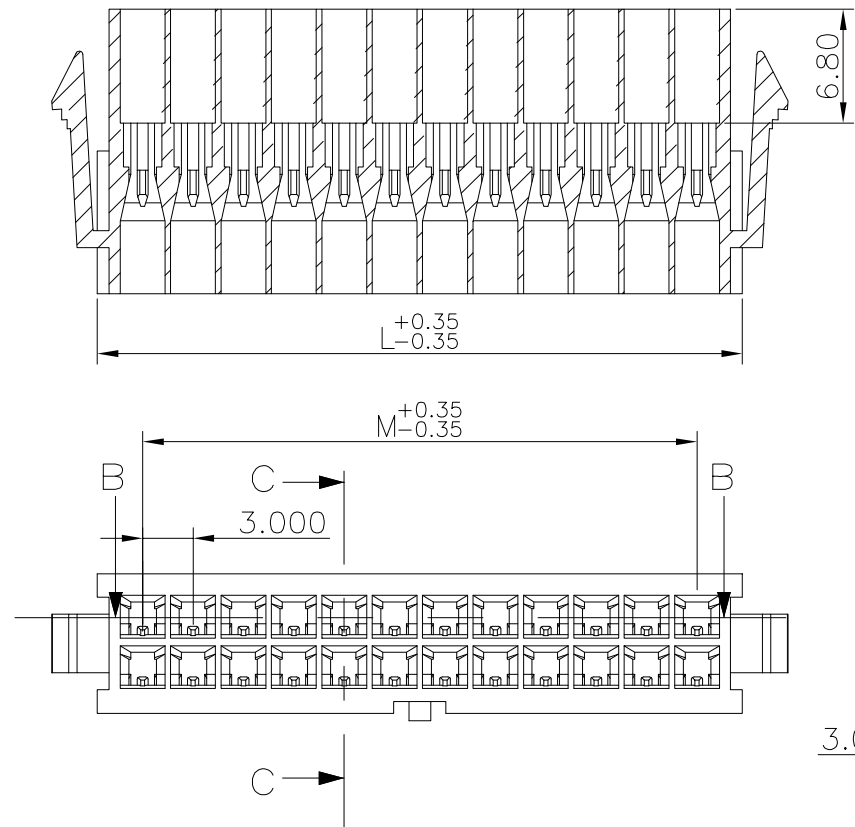
DESIGN:	DATE:
CHECKED:	DATE:
AUDITED:	DATE:

DWG. NO.	GWZB206-CB1AB
PART NO.	
GWZB206-XXXXB001AXBX	

TITLE.
3.00mm Crimp Style Connectors

REV.	UNIT.	SCALE.	PAGE.
01	mm	1:1	1/1

# SECTION B-B



**Specifications**  
 Current Rating: 5A AC  
 Current Voltage: 250V AC  
 Insulation Resistance: >1000MΩ  
 Dielectric Withstanding Voltage: 1500VAC  
 Contact Resistance: ≤10mΩ  
 Operating Temperature: -40°C to +105°C

**Materials**  
 Insulator Material: Nylon-66, UL 94V-2  
 Mating Terminal: GRZ1D1-T1  
 All materials must meet Greenconn hazardous substances control standards.

No. of Pins/Row	Dimensions Information	
	M	L
01		5.40
02	3.00	8.40
03	6.00	11.40
04	9.00	14.40
05	12.00	17.40
06	15.00	20.40
07	18.00	23.40
08	21.00	26.40
09	24.00	29.40
10	27.00	32.40
11	30.00	35.40
12	33.00	38.40

## Ordering Information

GHZ331 - XX A XX  
 No. of Pins Per Row SEE TABLE      Materials /Color MI=Nylon66/Black

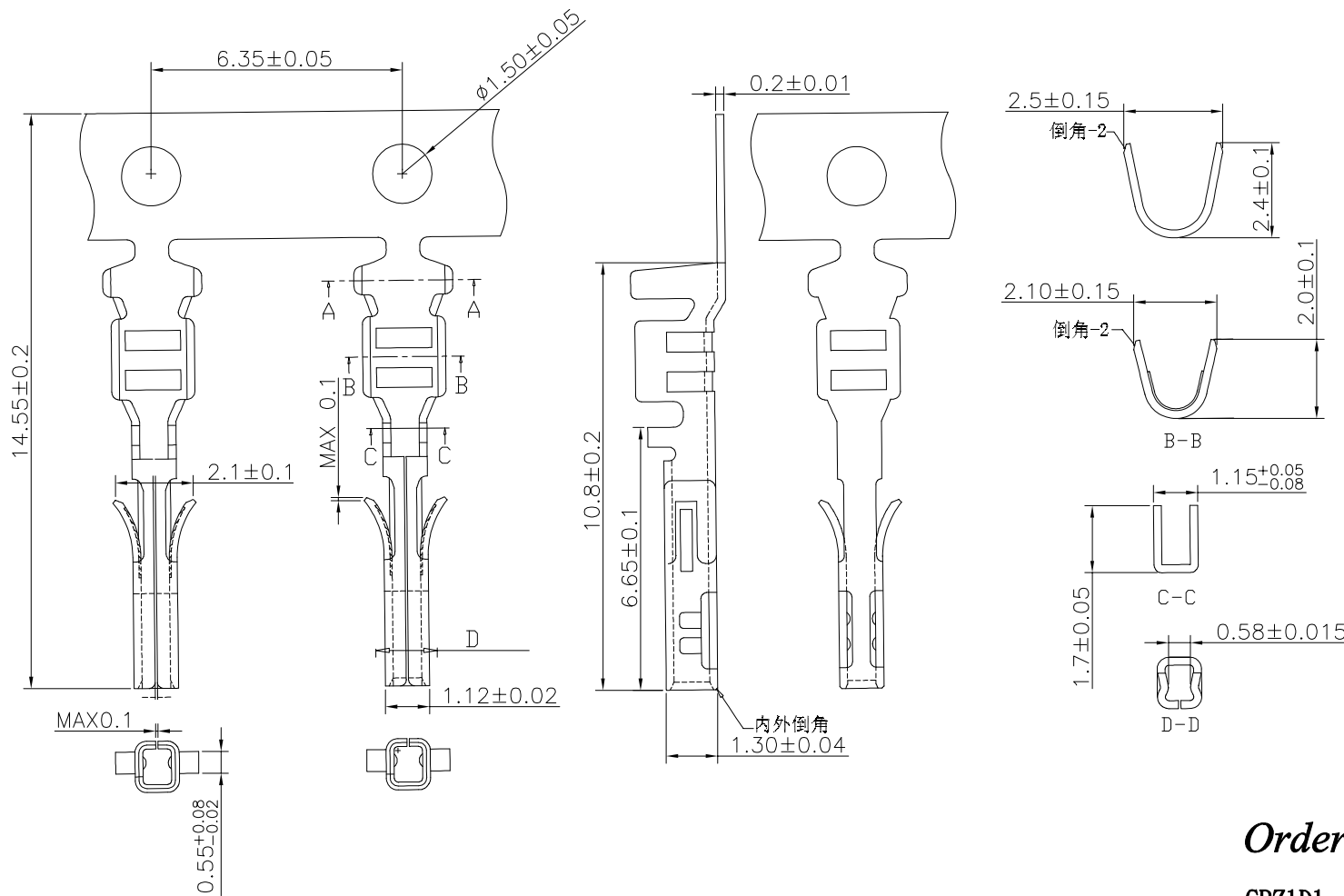
**Greenconn**  
 Website: www.greenconn.com  
 E-mail: sales@greenconn.com

3RD.ANG PROJ.	GENERAL TOLERANCE
	X.*±/*      X.±/
PAGE. 1/1	.X*±/*      .X±0.25
	.XX*±/*      .XX±0.15
	.XXX*±/*      .XXX±0.10

DESIGNED:	DATE:
CHECKED:	DATE:
APPROVED:	DATE:

DWG. NO. GHZ331-HA  
 PART NO. GHZ331-XXAXX

TITLE. 3.00mm PITCH Terminal



Specifications  
 Current Rating: 5A AC  
 Current Voltage: 250V AC  
 Contact Resistance: ≤10mΩ  
 Operating Temperature: -40°C to +105°C  
 Insulation O.D.: 1.85mm (max)  
 Wire Range : AWG#20~#24

Materials  
 Terminal Material: Phosphor Bronze  
 Mating Housing: GHZ331-HA  
 All materials must meet Greenconn hazardous substances control standards.

### Ordering Information

GRZ1D1 - 01 XX XX

Standard Plating  
 01=Tin

Materials  
 AB=Phosphor bronze  
 .....

 Website: www.greenconn.com E-mail: sales@greenconn.com			3RD.ANG PROJ.	GENERAL TOLERANCE X.±/°      X.±/ .X°±/°      .X±0.25 .XX°±/°      .XX±0.15 .XXX°±/°      .XXX±0.10	DESIGNED: CHECKED: APPROVED:	DATE: DATE: DATE:	DWG. NO. GRZ1D1-T1 PART NO. GRZ1D1-01XXAB	TITLE. 3.00mm PITCH Terminal
REV.	UNIT.	SCALE.	PAGE.					
A	mm	1:1	1/1					